



General presentation

**Neptune seal: Container
bolt lock seal
ISO 17712:2013**

Made by LeghornGroup

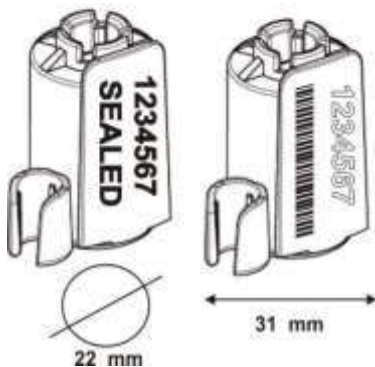
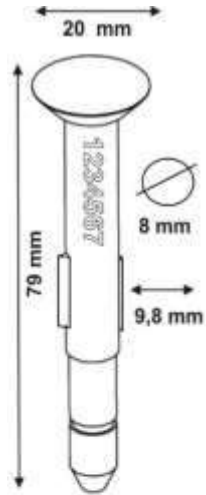
Neptune seal: ISO 17712:2013 Container bolt lock seal

SPECIFICATIONS:

NEPTUNESEAL is a bolt seal, compliant with high security international standard ISO 17712:2013 and specifically with the requirement of having the internal metal part exceeding 18 mm. The patent pending innovative mechanical design is characterized by two metal tabs attached to the bolt, which securely slot into the locking channel, thus preventing any breaching by high speed spinning of the female part of the seal. Any tampering attempt will give evidence of irreparable damage onto the bolt lock seal.

Any Tampering attempt will damage the seal leaving it irreparable.





PRINTING AND NUMBERING:

LASER printing. Sequential numbering up to 15 digits. Barcode option
Data Matrix option. RFID option. Customisation up to 20 characters on one
line. Customer logo on request. For substantial orders it's possible to
recreate . Company logo in relief

MATERIAL:

Plastic parts: Polystyrene with pigment paint compliant with safety
requirement of RoHS – *Restriction of Hazardous Substances*, European
Directive 2002/EC.

CERTIFICATES:

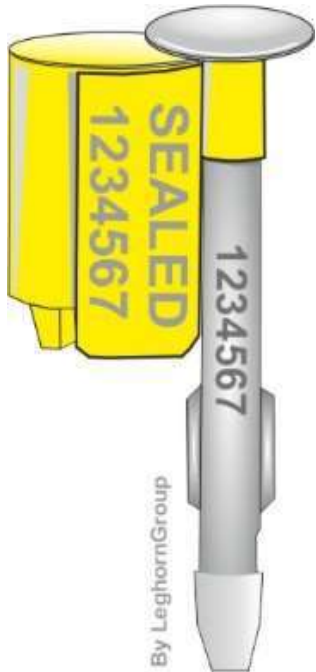
Compliant with ISO 17712:2013 HSS (high security seal)
ISO/PAS 17025 LAB APPROVED

PACKAGING: 250 pcs per box. Box size : 39x19x16cm. Box weight: 13,3 kg

Neptune seal: ISO 17712:2013 Colors and customizations examples



Neptune seal: ISO 17712:2013. NEEDED CERTIFICATES (1/2)



Product certificate attesting its compliance to the specification of the standard ISO 17712:2013. (Dayton Brown)

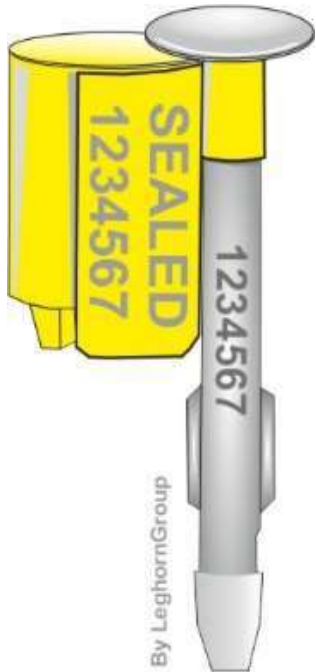
This certificate applies only to the product and is issued by ISO 17025 qualified laboratories.



Certificate of Conformance For Freight Container Mechanical Seal Testing ISO 17712:2013.



Neptune seal: ISO 17712:2013. NEEDED CERTIFICATES (2/2)



Declaration of an International Certification Body (e.g. SGS) certifying that the seal manufacturer has adopted best practices that ensure the compliance of the seal itself to the conditions set in Clause 6 of the standard ISO 17712:2013.

Certification of the seal manufacturer's Quality System in compliance with UNI EN ISO 9001:2015.



Please ask for ISO 17712:2013 Certifications catalog. Code 7401-A508

How to use





Bescherming-Controle-Identificatie-Traceren-RFID oplossingen

www.leghorngroup.be

FINDUS@

info@leghorngroup.com



LeghornGroup B.V.B.A.

Kmo-zone 'Starrenhof'

Starrenhoflaan 44/18, 2950 Kapellen/België

tel. +32 3 4807177

fax. +32 3 4808568

mob. +32 475 482110

e-mail: leclef@leghorngroup.be

url: <http://www.leghorngroup.be>

LeghornGroup – India
www.leghorngroup.in

LeghornGroup – Italy
www.leghorngroup.it

LeghornGroup – U.S.A.
www.leghorngroup.com

LeghornGroup – Belgium
www.leghorngroup.be
www.leghorngroup.nl

LeghornGroup – Czech Republic
www.leghorngroup.cz
www.leghorngroup.pl

LeghornGroup – Greece
www.leghorngroup.gr

LeghornGroup – Republic of
Moldova
www.leghorngroup.ro

LeghornGroup – España
www.leghorngroup.es